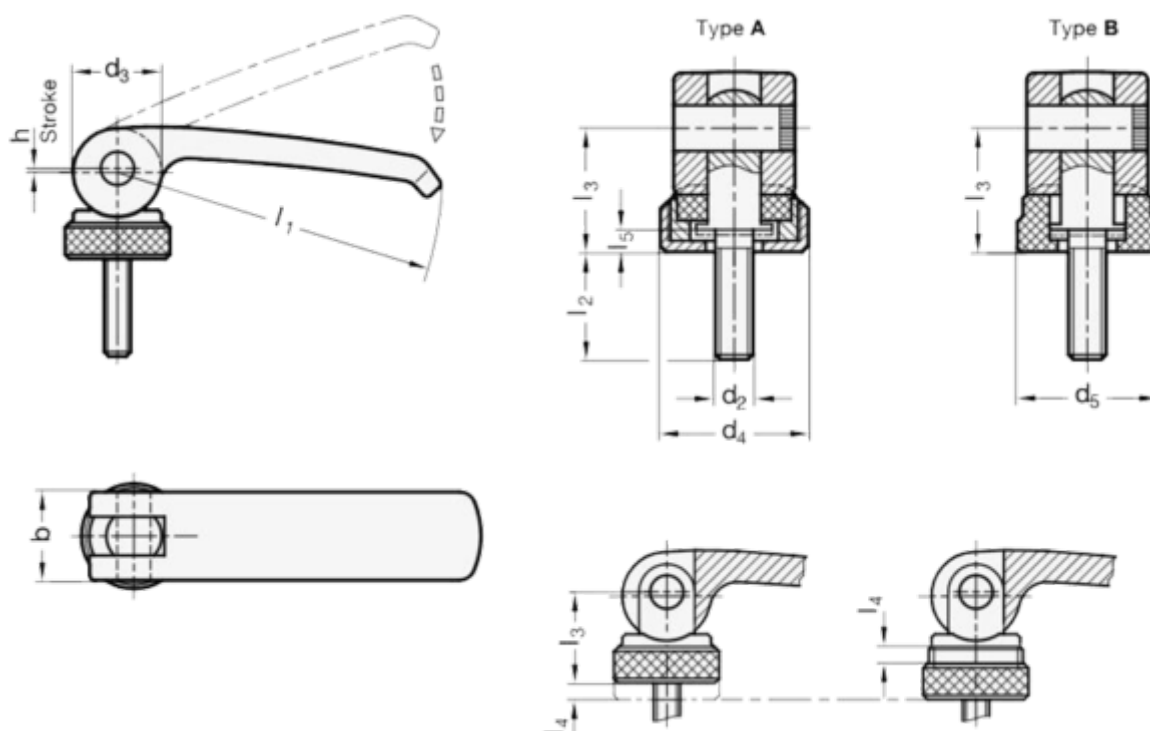


Article number: 209273101M1020B

Description: E+G Clamping lever GN 927.3-101-M10-20-B  
Male thread

## Measures



$b = 25$   
 $d_2 = M10$   
 $d_4 =$   
 $d_5 = 27$   
 $l_1 = 101$   
 $l_2 = 20$